

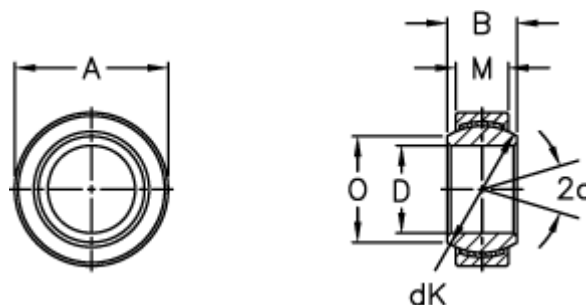
Data Sheet



Article number: 03441300

Description: Fluro Rod end GE 300EC-2RS

Measures



A = 430 0 -0,045

B = 165

D = 300 0 -0,035

dK = 375

Dynamic load C (kN) = 7200

M = 120

O = 336.7

Static load C0 (kN) = 14400

Tilt angle = 7

Weight = 76000